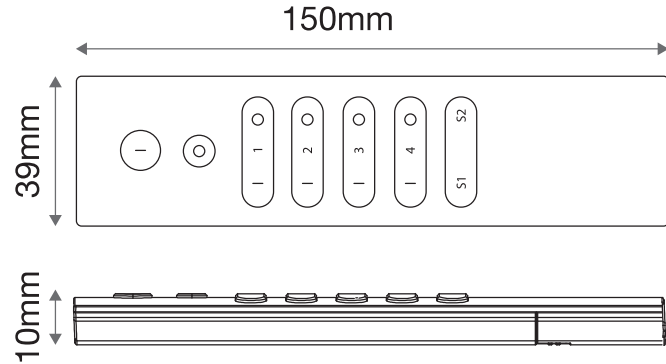


Dimensions



Returns & Faulty Items

- If any problem is encountered during or after installation, please call the All LED technical department to get the problem resolved as soon as possible.
- Please do not just return the item to the outlet you purchased it from, as you are only entitled to a replacement or refund after the unit has undergone testing and the unit has been confirmed as having a manufacturing defect/fault. Your statutory rights are not affected.
- The manufacturer will not be deemed liable or held responsible for any damages caused by faults or manufacturing defects that may be present in any of its products or the misuse or incorrect installation of this device. Please refer to our troubleshooting guide for further information.
- All goods are supplied under the terms and conditions of All LED LTD, a copy of which may be obtained upon written request.



ALL LED LTD
42 Sedgwick Road,
Luton, LU4 9DT

www.allledgroup.com
sales@allledgroup.com
Tel: +44 (0)208 841 9000

The manufacturer will not be deemed liable or held responsible for any damages caused by faults or manufacturing defects that may be present in any of its products or the misuse or incorrect installation of this device. Your statutory rights are not affected.



Environmental Protection
Waste electrical products should not be disposed of with household waste. Please recycle where facilities exist. Check with your Local Authority or retailer for recycling advice



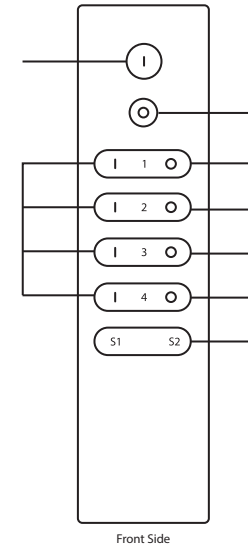
INSTALLATION GUIDE MONO SMART REMOTE AiQ/4Z/RMT

4 Zone Smart Remote Control

All ON Button: Click to turn on all paired lighting devices.
Press and hold down to search and pair to Smart Home Hub or to factory reset the remote.

Group 1-4 ON buttons, click to turn on all the paired lighting devices to this group, press and hold down to dim lights up.

Note: This remote supports 4 groups for binding a max. of 30 lighting devices and enables saving 2 scenes per group.



All OFF Button: Click to turn off all paired lighting devices.

Group 1-4 OFF buttons, click to turn off all the paired lighting devices to this group, press and hold down to dim light down.

2 scene buttons. Press and hold down to save a scene or click to recall the saved scene.

Product Code	AiQ/4Z/RMT
Protocol	ZigBee 3.0
Operating Voltage	3VDC
Battery Type	CR2032 x1
Transmission Frequency	2.4 GHz
Transmission Range (Uninterrupted)	30 m
Ingress Protection	IP20



Magnetic Bracket



Note: Before the first use, please remove the protective film on the battery

Quick Install Guide

To be able to use a remote with your Smart Home Hub and intelligent lighting devices follow (Option 1 and Option 2). If you would like to use your remote directly with your intelligent lighting control devices without a Hub, follow instructions (Option 2).

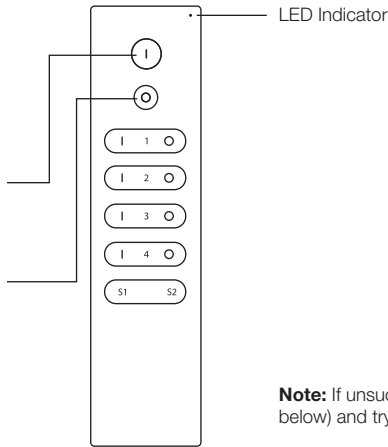
Remove protective film on battery before first use.

Option 1: Connecting Your Remote to a Smart Home Hub e.g. Alexa Echo

Step 1: From your smart home hub interface, choose to add a device or accessory and enter pairing mode as instructed below.

Step 2: Press and hold down All On button until LED indicator turns on.

Step 3: Immediately short press the All Off button. The LED indicator will flash. After 20 seconds the remote will time out. LED indicator will then blink x3 quickly for successful pairing.



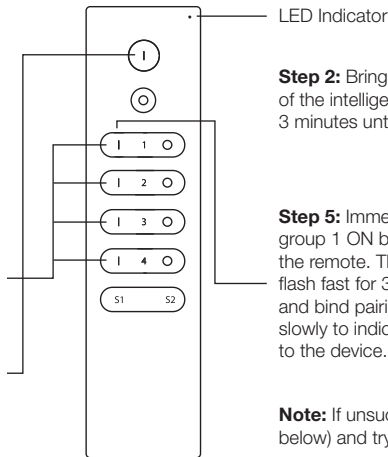
Note: If unsuccessful, factory reset (as below) and try again.

Option 2) Connecting your remote to Intelligent lighting control devices.

Step 1: Set receiving device to Find and Bind mode. Lights will flash indicating Find and Bind mode active: Duration 3 minutes.

Step 3: Short press the ON button of group 1, 2, 3 or 4 to choose a group that you would like to pair the device to.
CARE: Select Zone First

Step 4: Press and hold down All ON button until LED indicator turns on.



Step 2: Bring the remote within 10 cm of the intelligent lighting device. 3 minutes until timeout.

Step 5: Immediately short press group 1 ON button to start pairing the remote. The LED indicator will flash fast for 3 seconds to start find and bind pairing and then flash x6 slowly to indicate successful pairing to the device.

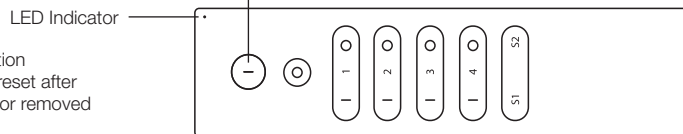
Note: If unsuccessful, factory reset (as below) and try again.

Factory Reset Remote

Step 1: Press and hold down the ALL ON button until LED indicator turns on.

Step 2: Immediately short press the same button x5 continuously, LED indicator will flash x3 quickly to indicate successful reset.

Note: All configuration parameters will be reset after the remote is reset or removed from the network.



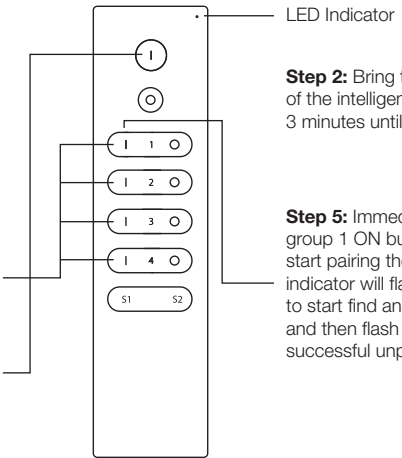
Remove Paired Devices

Removing An Intelligent Lighting Control Device From Your Remote

Step 1: Set receiving device to Find and Bind mode. Lights will flash indicating Find and Bind mode active: Duration 3 minutes.

Step 3: Short press the ON button of group 1, 2, 3 or 4 to choose a group that you would like to pair the device to.
CARE: Select Zone First

Step 4: Press and hold down All ON button until LED indicator turns on.



Step 2: Bring the remote within 10 cm of the intelligent lighting device. 3 minutes until timeout.

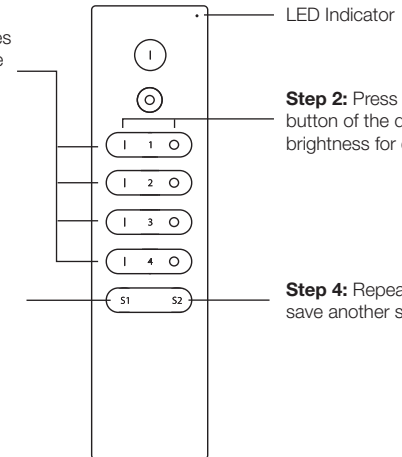
Step 5: Immediately short press group 1 ON button **twice** to start pairing the remote. The LED indicator will flash fast for 3 seconds to start find and unbind pairing and then flash x6 slowly to indicate successful unpairing to the device.

Scenes

How To Save Scenes

Step 1: Make sure that lighting devices have already been paired to any of the 4 groups that you would like to save scenes for.

Step 3: Press and hold down a scene button (e.g. S1) until LED indicator flashes to confirm the brightness for this group has been saved.
CARE: Select Zone First



Step 2: Press and hold the ON or OFF button of the desired group to adjust the brightness for each individual group.

Step 4: Repeat Step 3 if you want to save another scene to (S2).

How to Recall Saved Scenes

Step 1: Short press either the S1 or S2 buttons to recall a saved scene for each individual group.